

## H&R CM12 (CMP)

Our recommendation: At \$300 or less, this one's a bargain. As a training rifle for adults, an accurate plinker, or a trainer for young shooters, the CM12 is worth every penny. Supplies may be limited from the Civilian Marksmanship Program, so if you snooze, you lose.

The CM12 is a heavy piece of equipment (12 pounds 9 ounces) and is long to boot (46 inches). Still, it is relatively easy to handle due to its balance and fully inletted walnut stock, which is flat on the forend.

Without doubt, the H&R CM12 was the accuracy champ from the rest. Consistency was the word of the day, as it showed narrow deviations in group sizes ammo to ammo and even identical averages of 0.60 inch from the Remington Golden Bullet and the Lapua Dominator. This type of performance puts the onus on the shooter, which is ideal for training.

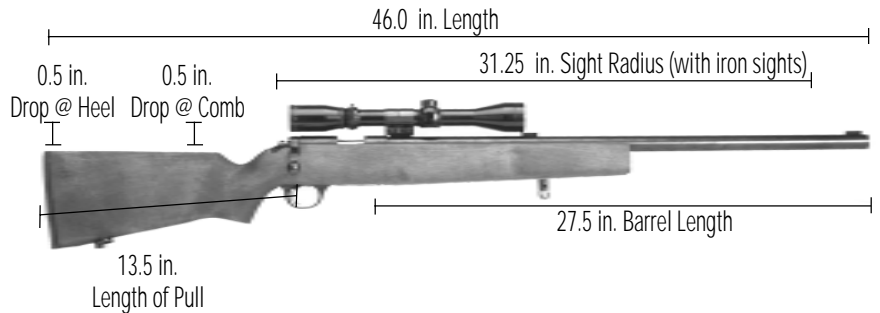
Once we had determined the CM12 would whip the others in baseline accuracy, we worked up an appetite for tighter groups. Enter four more brands of ammo we knew from experience would likely shoot well. We tried Fiocchi's Pistol V 300 Super Match and were rewarded with 0.4, 0.6, and 0.7-inch groups. Federal's UM1 also dialed in an average group size of 0.6 inch. Eley's Tenex shrank the average size to 0.5 inch, but the 40-grain RWS R50 round from Dynamit Nobel said pass the dice to me and shot average group sizes of 0.3 inch, including groups of 0.5, 0.3, and 0.2 inch.

In our view, the CM12 is accurate because the barrel and action float far enough from the stock so that there is enough room for the wooden stock to expand and contract without touching the barrel. This also insulates the barrel from deflection due to stress presented by the use of a tight sling.

Off the bench, the H&R surplus training rifle was likewise superior

## H&R CM12 CMP SURPLUS

Price..... \$250 to \$300



**Our recommendation: This is a lot of gun for the price. If you need its target capability, we wouldn't hesitate to buy it. But we wouldn't pick it for field work.**



The H&R's trigger was adjustable for creep.



The H&R's genuine Redfield aperture sights (the rear sight is shown here; it also comes with a front globe sight) would nearly justify the cost of the rifle by themselves.

### SPECIFICATIONS

WARRANTY .....	None
FINISH .....	Blued
WEIGHT .....	12.75 lbs.
MAGAZINE CAPACITY .....	None
MAGAZINE TYPE .....	None
FLOORPLATE .....	None
STOCK MATERIAL .....	Walnut
ACTION TYPE .....	Bolt
TRIGGER PULL .....	1.3 lbs.



The forend rail allowed the shooter to move his front support hand and sling to nearly any position.



This group, shot at 50 yards with RWS R50 ammunition, shows how accurate the CM12 can be. One reason: The barrel and action float away from the wooden stock.