

to both the Marlin and CZ. This could be attributed to built-in features that aid the shooter in each position. Starting at the front of the gun, these features include an oversized forend that fills the shooter's hand in prone and kneeling, a full-length handstop rail, a big handgrip, and a high cheekpiece. The supplied Redfield aperture sights are a marvel in themselves, crisp and easy to adjust. Additionally, the barrel is way too heavy to flex, and heat is easily dissipated. The gun's 21-ounce trigger reacts immediately.

This single shot has a generous opening at the chamber, which makes loading easy, and the oversized bolt's double extractors crisply throw rounds out and away from the shooter.

**CZ 452-2E ZKM Varmint**

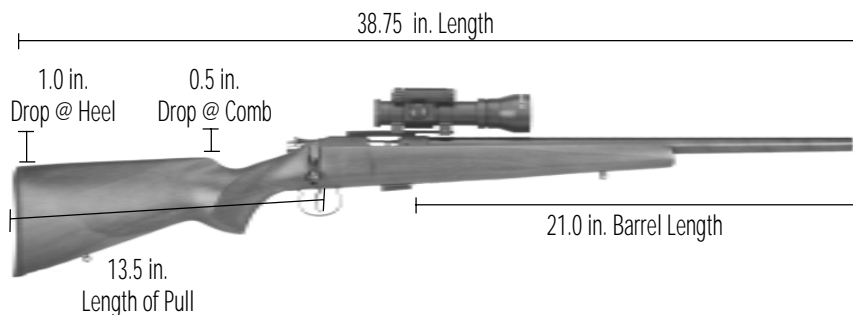
**Our recommendation:** If you don't have a need for the heft or target stock of the CM12, this sporter-style heavy-barrel gun offers adequate accuracy for the money. There is nothing fancy about this rifle, but it shoots well and is constructed with simple classic appeal.

The CZ Varmint comes without the iron sights found on other models, but features a fine wood stock with nice checkering. The fittings for the swivels and the way this rifle is assembled make it as tight as many others costing far more. The shorter, but heavier, barrel is in balance with the rest of the gun, offering a completely neutral feel. The buttpad is soft rubber and isn't tacky, so it absorbs what shock there is and protects the wood from damage when placed in a rack. The bolt is heavy and smooth in operation, but like the trigger seemed to benefit from break in. The trigger seemed rough at first but improved with each stroke. By the time we had fired it 150 or so times, the trigger pull broke at a smooth 3.0 pounds.

In terms of accuracy, the Lapua Dominator produced the smallest

**CZ 452-2E ZKM VARMINT**

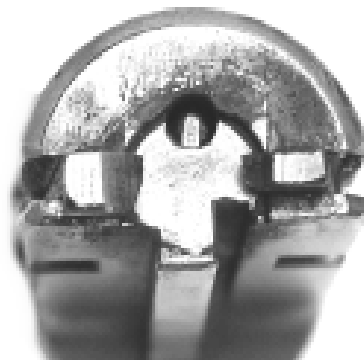
Price..... \$300



**Our recommendation:** A well-made sporter that had a higher level of finish than we expected for a gun at this price point.

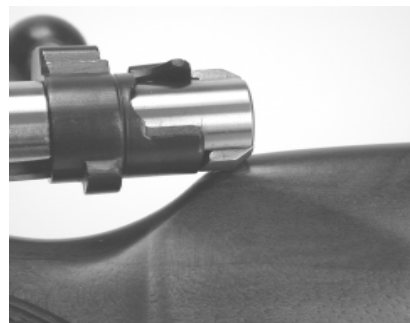
**SPECIFICATIONS**

WARRANTY .....	Limited Lifetime
FINISH .....	Blued
WEIGHT .....	7.2 lbs.
MAGAZINE CAPACITY .....	5
MAGAZINE TYPE .....	Single Column
FLOORPLATE .....	None
STOCK MATERIAL .....	Beech
ACTION TYPE .....	Bolt
TRIGGER PULL .....	3.0 lbs.



*Dual extractors mean the CZ operates reliably.*

*The balance point of the CZ was directly in front of the chamber. As a result, it handled smoothly and fit the shooter well in most positions. However, it lacked the adjustability of the CMP gun.*



*Though it helps the shooter get a good stockweld, the CZ's high comb gets marred by the bolt.*



group in the CZ (0.60 inch), but its largest spread measured 1.3 inches. The CCI ammo averaged 0.9 inches per five-shot group. Our high-velocity round of choice, the

36-grain Golden Bullet hollow point from Remington, averaged nearly 1,200 fps but only produced one group below an inch, finally averaging 1.1 inches.