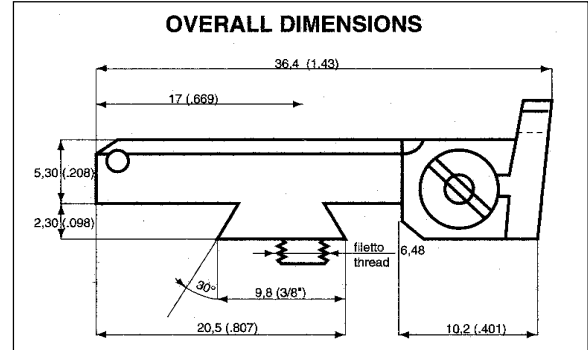


Right: The L.P.A. Low Mount TRT 91BW 37 has dimensions that are very similar to the Bo-Mar.

Relative Dimensions



	Notch Width (in.)	Notch Depth (in.)	Blade Width (in.)	Blade Height (in.)	Body Thickness (in.)	Dovetail Dimensions (in.)
Bo-Mar BMCS Low Mount	0.110	0.100	0.765	0.430	0.125	0.359 X 60 degree
L.P.A. Low Mount TRT 91BW 37	0.120	0.120	0.865	0.435	0.210	0.385 X 60 degree
Millett Target Blade CA-00010	0.130	0.065	0.755	0.325	0.250	0.335 X 60 degree
Millett Marksman Speed/Target CA00018	0.130	0.100	0.755	0.425	0.250	0.335 X 60 degree
Mec-Gar MGS 45GM 1911 (Govt.)	0.080	0.065	0.750	0.210	0.120	0.335 X 60 degree
Mec-Gar MGS 80CT (Series 70, 80, 90)	0.120	0.080	0.750	0.245	0.120	0.335 X 60 degree